

925U-2 wireless mesh networking I/O and gateway installation guide



Statutory requirements

FCC: This device complies with Part 15.247 of the FCC Rules. Operation is subject to the following two conditions:

- This device may not cause harmful interference.
- This device must accept any interference received, including interference that may cause undesired operation.

FCC: Unlicensed operation limits the radio power. High gain aerials may only be used to compensate for cable losses.

⚠ WARNING - EXPLOSION HAZARD

Do not disconnect the device while the circuit is live unless the area is known to be non-hazardous.

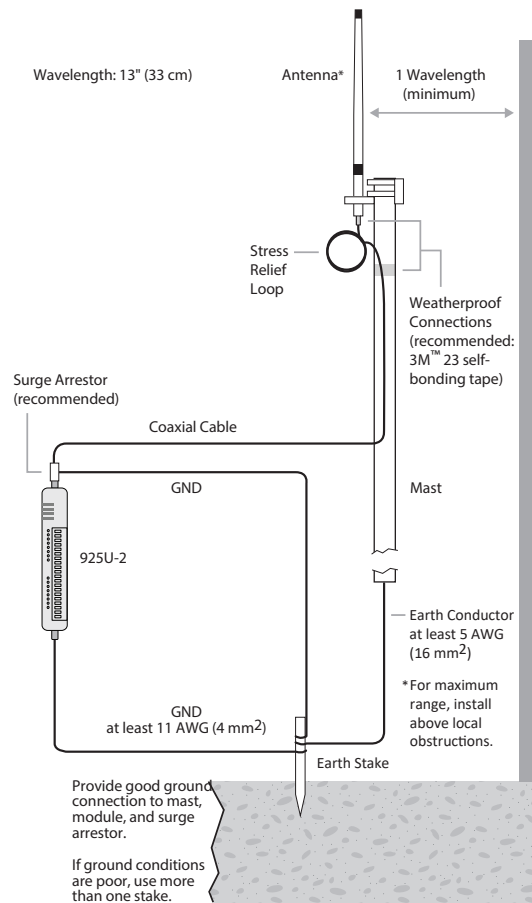
NOTE

The 925U-2 module ships from the factory as a bridged meshing radio. If communication with the older legacy 915U-2's is required, radio's operating mode can be changed with firmware.

Antenna installation

Use Figure 1 as a guide for installing an antenna and attaching it to the module.

Figure 1. Antenna installation



Connecting to the module for configuration

- Download and install configuration application "CConfig" from ELPRO website www.elpro.com.au
- Connect to PC using supplied USB cable
- Connect to the device at 192.168.111.1
- The PC will be automatically assigned an IP address via DHCP

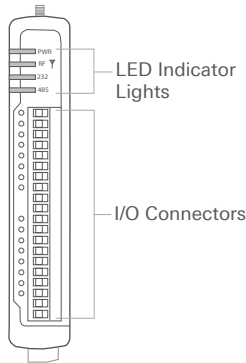
Username: user

Password: user

NOTE

All connections must be SELV <50 Vac and <60 Vdc.

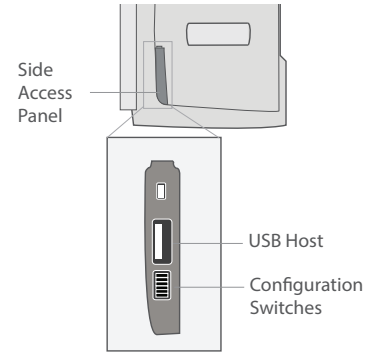
The following illustrations show the ports on the 925U 2.



Configuration switches

Use the DIP switches in the side access panel to select analog input voltage and current, external boot, and default configuration settings.

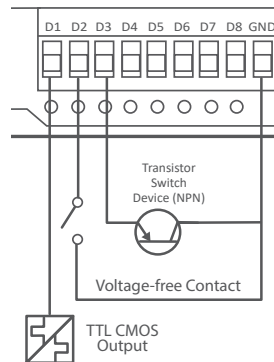
DIP	DESCRIPTION
1	AI3 current/voltage
2	AI3 current/voltage
3	AI4 current/voltage
4	AI4 current/voltage
5	Unused
6	Enables default configuration



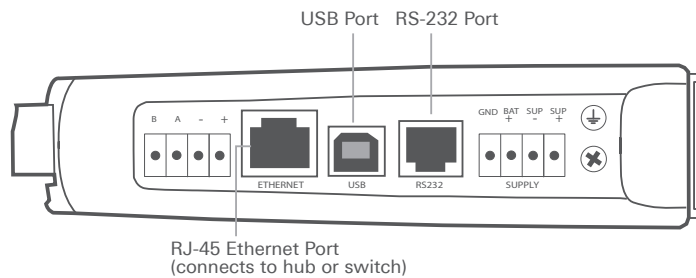
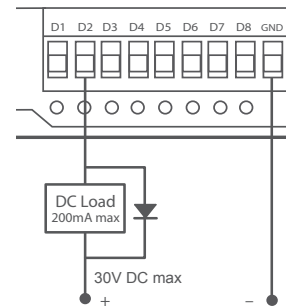
Input and output connections

The digital input/output channels can be wired as inputs or outputs.

Digital input



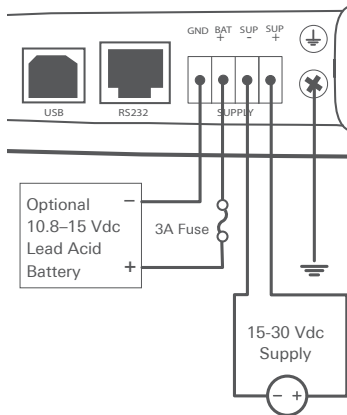
Digital output



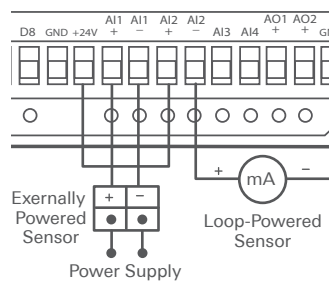
Power supply wiring

The ground (GND) and "SUP -" terminals are connected internally to the ground terminal.

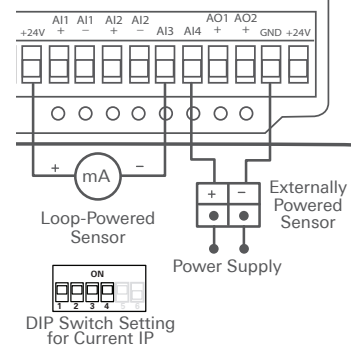
Connect the screw terminal on the end plate to ground for surge protection.



Differential current inputs (AI1, AI2)



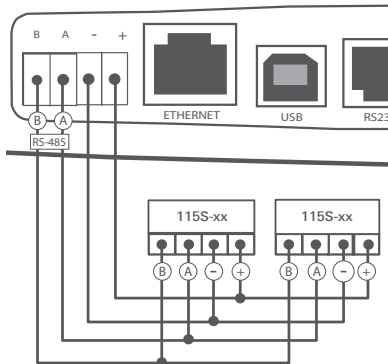
Single-ended current input (AI3, AI4)



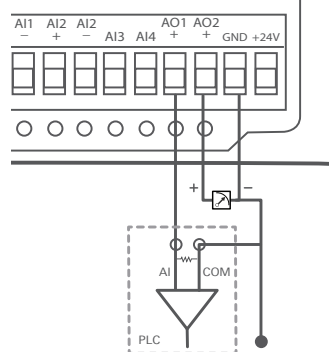
Expansion I/O power and RS-485 serial connection

An on-board RS-485 terminating resistor provides line attenuation for long runs.

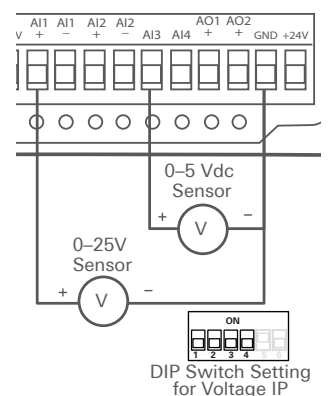
Place terminating resistors at each end of the RS-485 cable.



Analog output



Single-ended voltage input



ELPRO Technologies
29 Lathe St
Virginia, QLD 4014
Australia
www.elprotech.com

ELPRO Technologies Inc
2028 East Ben White Blvd,
#240-5656 Austin, TX 78741-6931
USA

Telephone:
Global:+61 7 3352 8600

Telephone:
USA: +1 855 443 5776

ELPRO is a registered trademark.
All other trademarks are property of their respective owners.

© 2022 ELPRO
All Rights Reserved

